

LENOVA

4580 W Roosevelt Rd Hillside, IL 60162 www.Lenovasinks.com Phone: 877-733-1098

SPECIFICATIONS

MODEL SS-SPL-D1

GENERAL

Fine quality sink formed of 16 gauge, type 304 nickel bearing stainless steel.

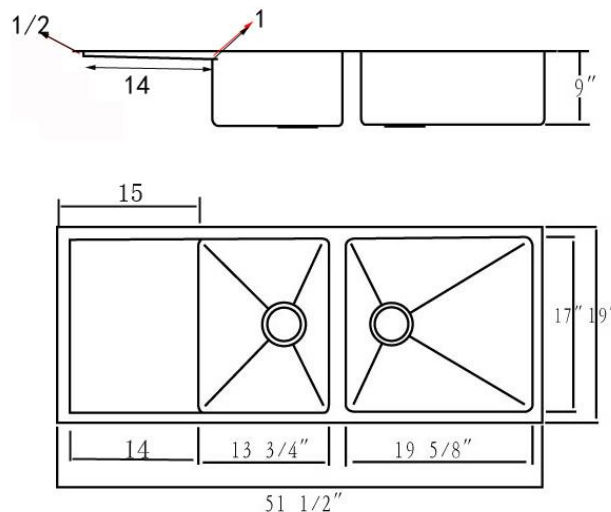
DESIGN FEATURES

Bowl depth 9 inches with inside bowl dimensions 17" X13-3/4" and 17" X19-5/8" and Over all 51-1/2" X 19"

Finish: Inside bowl surfaces polished to a uniform satin finish.

Underside: Five high density sound absorption pads covered with a thick rubberized insulation layer on all bottom surfaces.

Other: Drain opening 3 1/2".



C

CUPC certified

Minimum cabinet size 55"

Product shall be specified as SS-SPL-D1

OPTIONAL ACCESSORIES:

Stainless Steel Top Rolling Grid: SS-AC-GR

Sink Drain: A-SS-01, A-SS-02

Bamboo Cutting Board: A-CB-01

Warranty:

Limited Life Time warranty against manufacturer defects and craftsmanship.